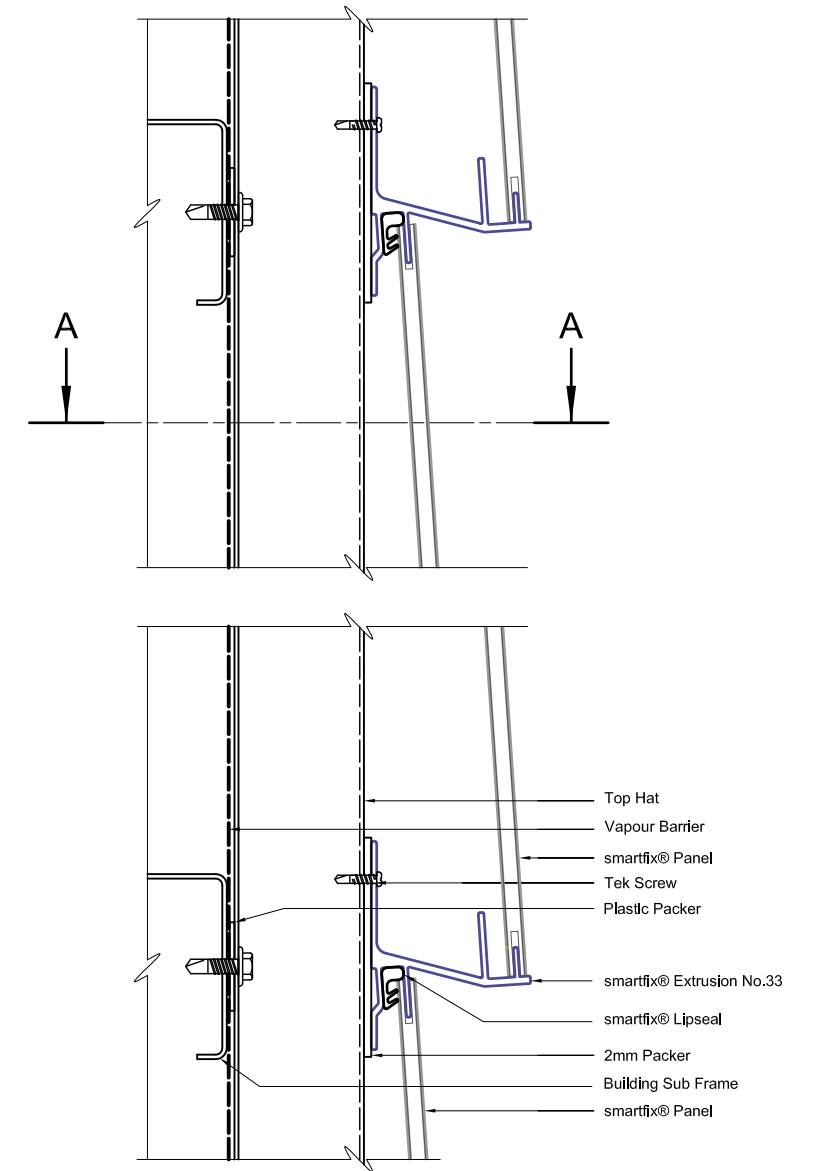


A-A - SECTION PLAN DETAIL



TYPICAL WALL DETAIL
STEP SYSTEM - EXTRUSIONS & PANELS
SHOWN HORIZONTALLY

NOTE: DO NOT SCALE

DRAWING NO.	SMARTFIX - TYP. DETAIL 62
TITLE	TYPICAL STEP FACADE HORIZONTALLY: INT. & EXT. CORNER DETAIL USING EXTRUSION NO.33